

Art. **N11091**

U-10

SET x1

- ① SCALETTA RIPIEGHEVOLE IN ACCIAIO
- ② FOLDABLE STEEL LADDER
- ③ ÉCHELLE PLIABLE EN ACIER
- ④ KLAPPBARE LEITER AUS STAHL
- ⑤ ESCALERA PLEAGABLE DE ACERO



- ① ADATTA PER
- ② SUITABLE FOR
- ③ INDIQUÉ POUR
- ④ GEEIGNET FÜR
- ⑤ ADECUADA PARA

NORDRIVE
KARGO SERIES
+
UNIVERSAL



- ① BARRE KARGO
- ② KARGO BARS
- ③ DACH-LASTENTRÄGER KARGO



- ① BARRE KARGO-PLUS
- ② KARGO-PLUS BARS
- ③ DACH-LASTENTRÄGER KARGO-PLUS



- ① CESTA PORTATUTTO
- ② ROOF CARRIER
- ③ DACHKORB

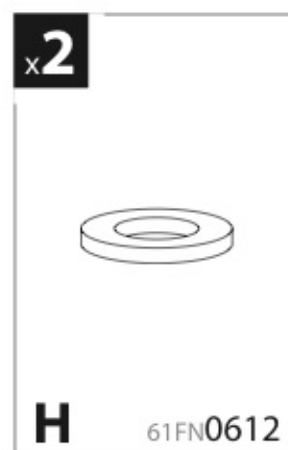
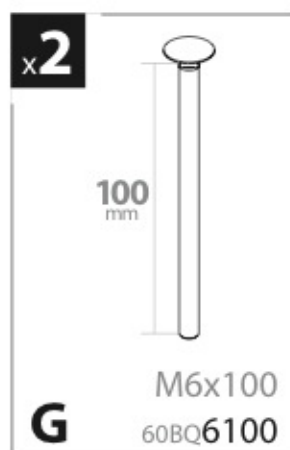
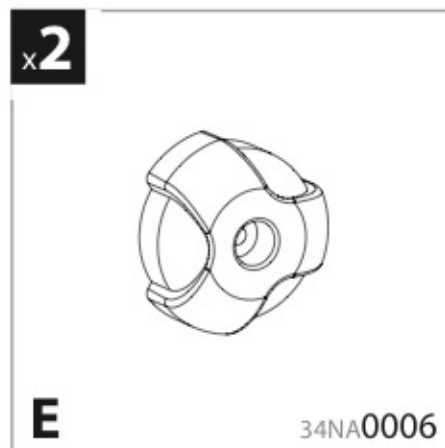
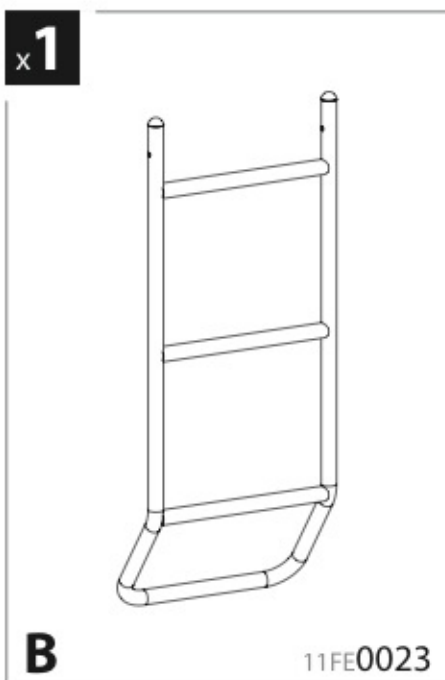
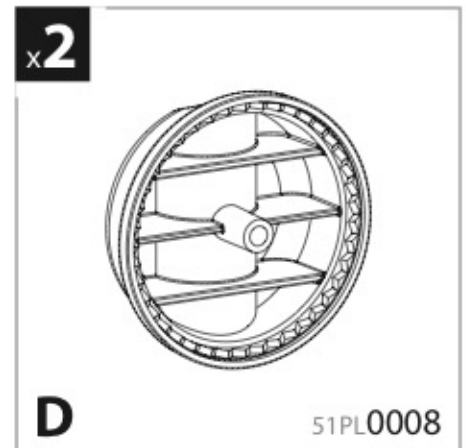
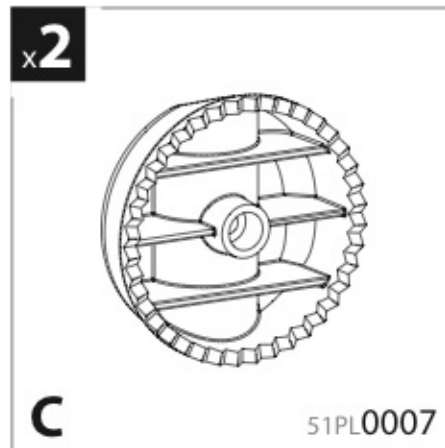
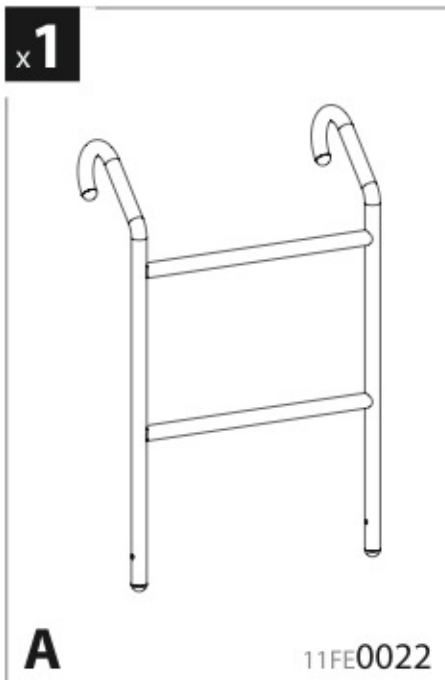


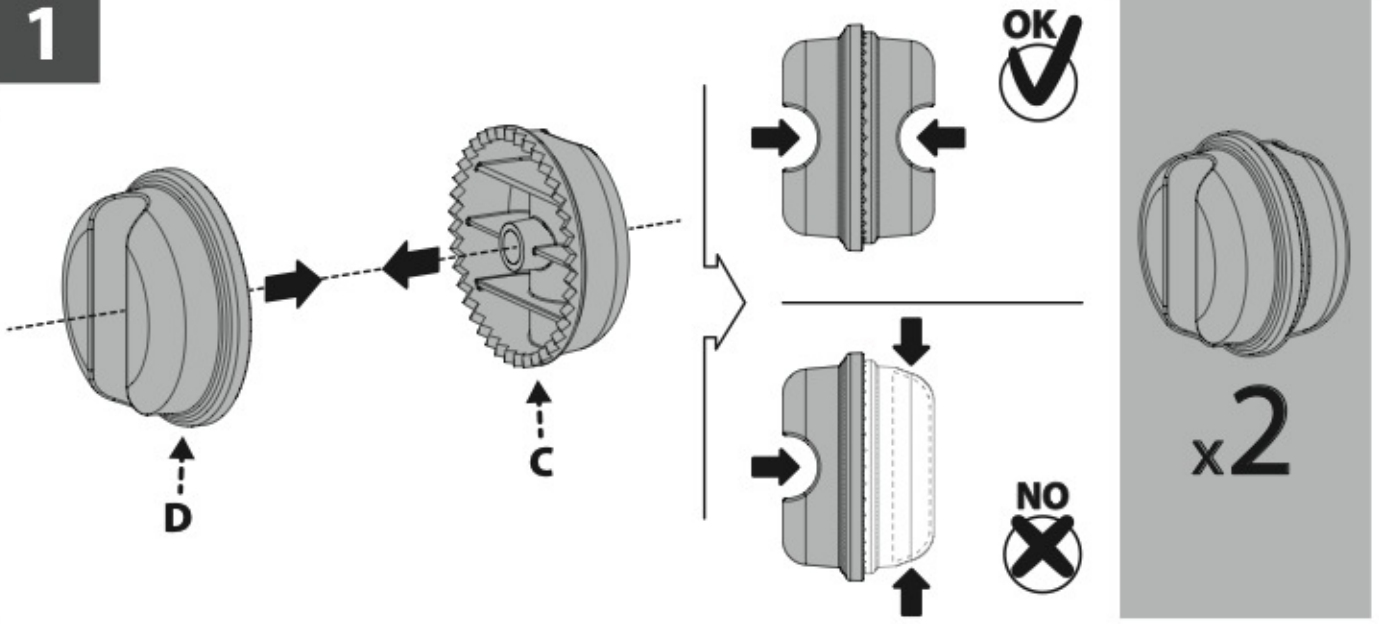
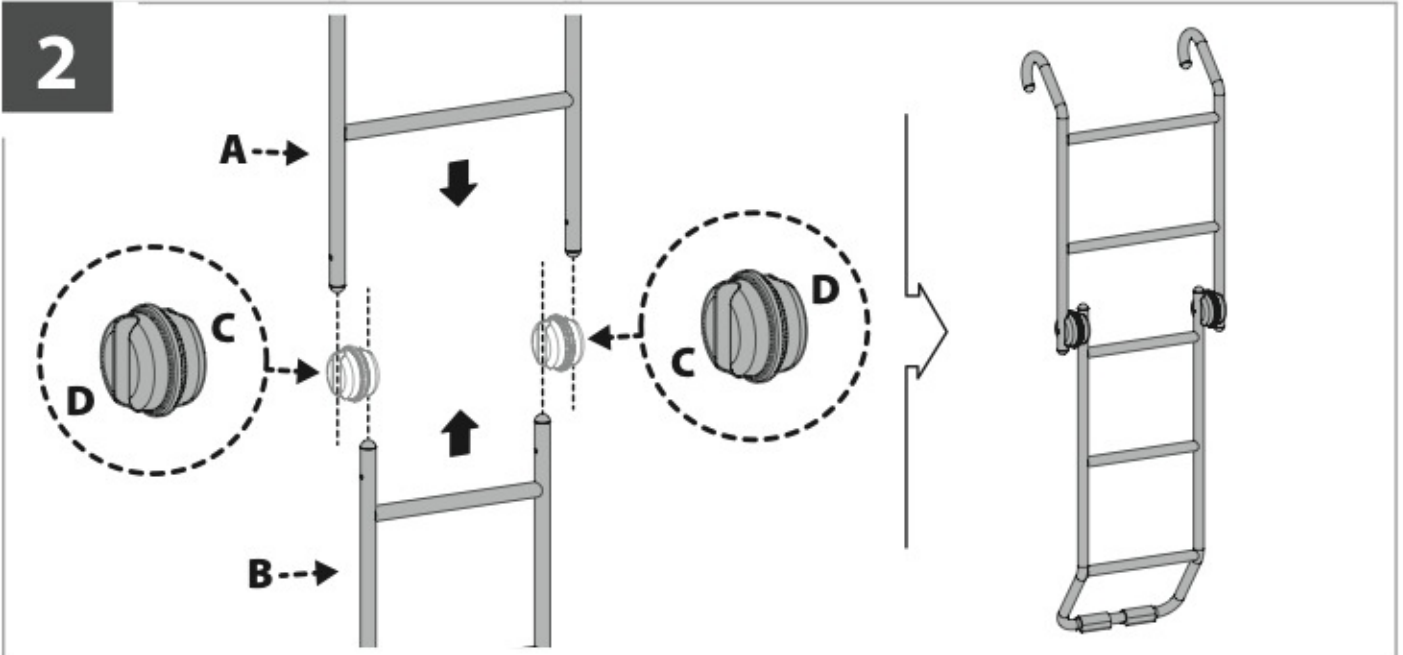
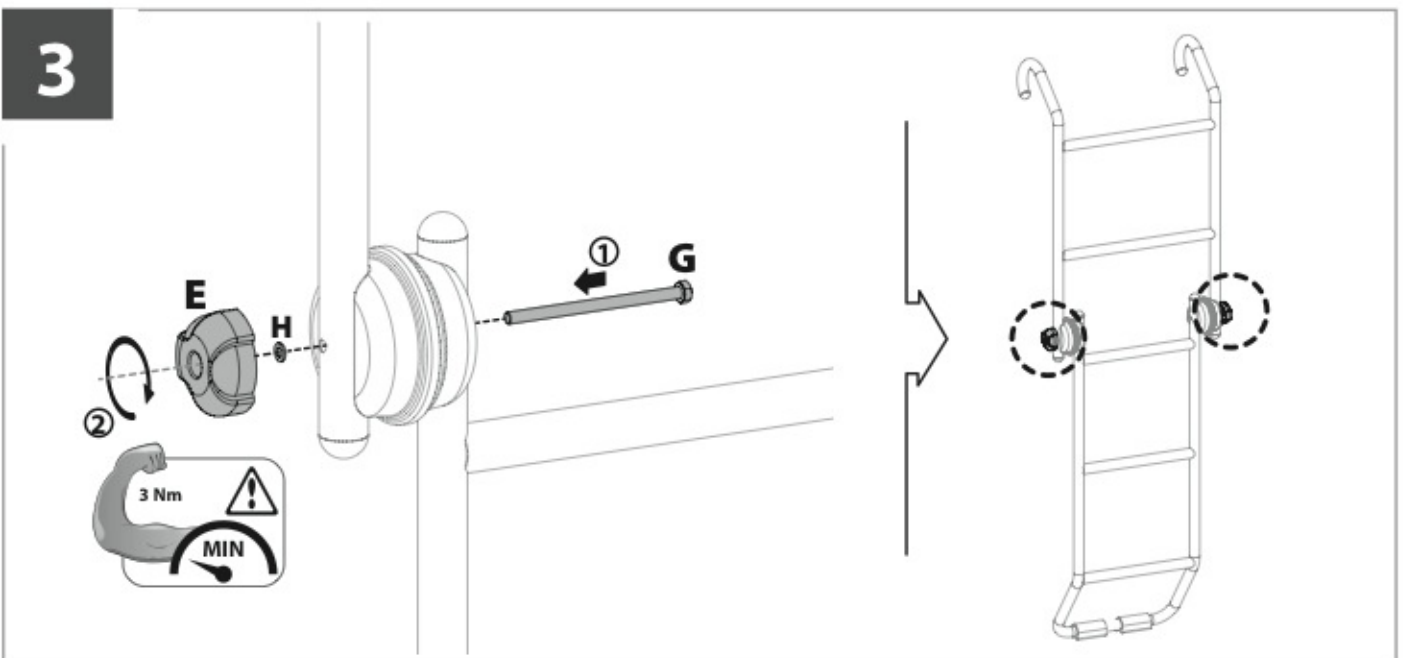
- ① ISTRUZIONI DI MONTAGGIO
- ② FITTING INSTRUCTIONS
- ③ MONTAGEANLEITUNG
- ④ INSTRUCTIONS DE MONTAGE
- ⑤ INSTRUCCIONES DE MONTAJE
- ⑥ INSTRUÇÕES DE MONTAGEM
- ⑦ MONTAGE-INSTRUCTIES
- ⑧ MONTERINGSANVISNING
- ⑨ ASENNUSOHJE
- ⑩ PAIGALDUSJUHEND
- ⑪ STIPRINĀŠANAS INSTRUKCIJA
- ⑫ PRITVIRTINIMO INSTRUKCIJOS
- ⑬ INSTRUKCJA MONTAŻU
- ⑭ Инструкции по установке
- ⑮ NÁVOD NA MONTÁŽ
- ⑯ NÁVOD NA MONTÁŽ
- ⑰ NAVODILA ZA PRITRJEVANJE
- ⑱ UPUTA ZA SASTAVLJANJE
- ⑲ A FELSZERELÉS MÓDJA
- ⑳ Οδηγίες συναρμολόγησης
- ㉑ MONTAJ TALIMATLARL
- ㉒ ИНСТРУКЦИИ ЗА МОНТАЖ
- ㉓ UPUTSTVA ZA MONTAŽU

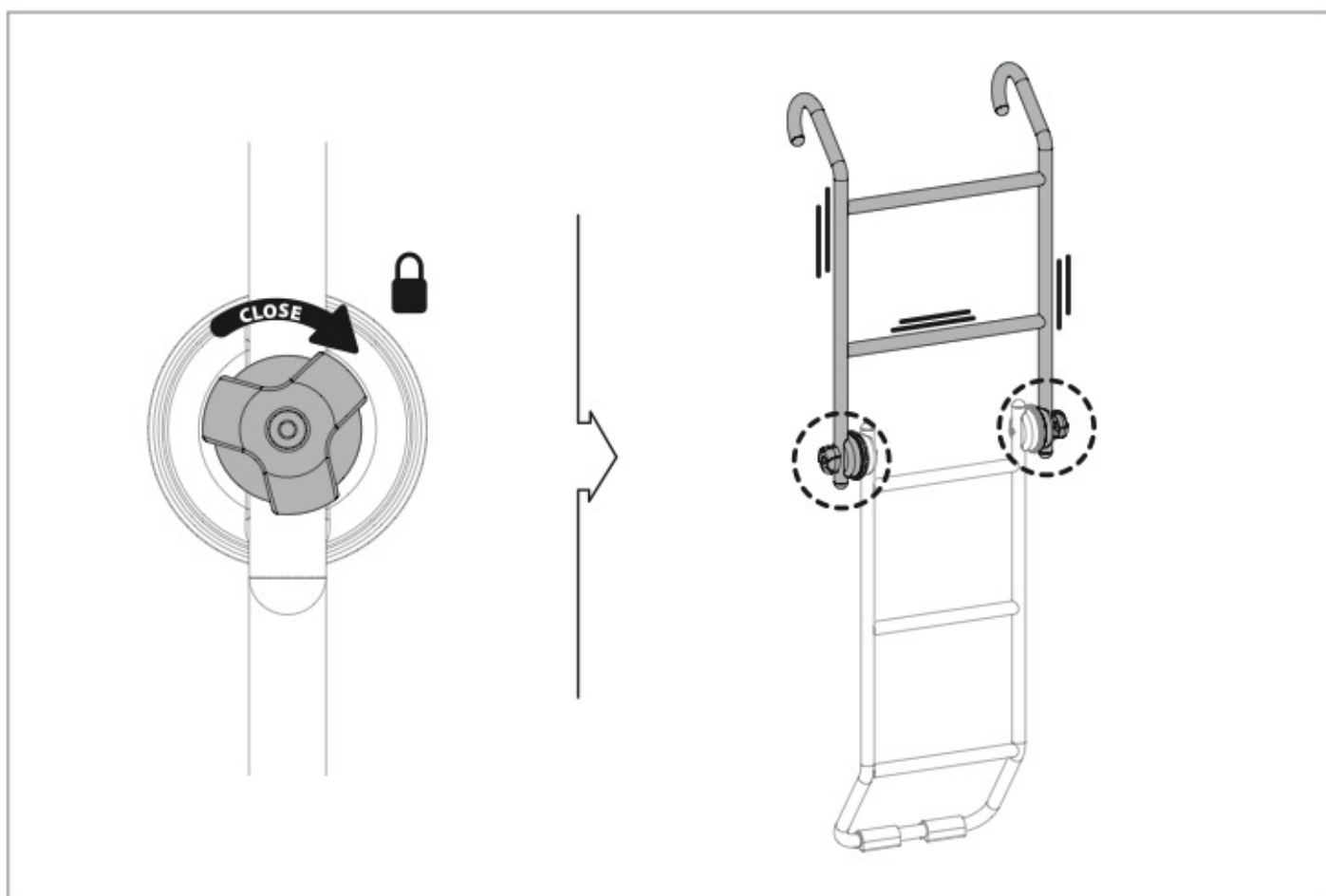
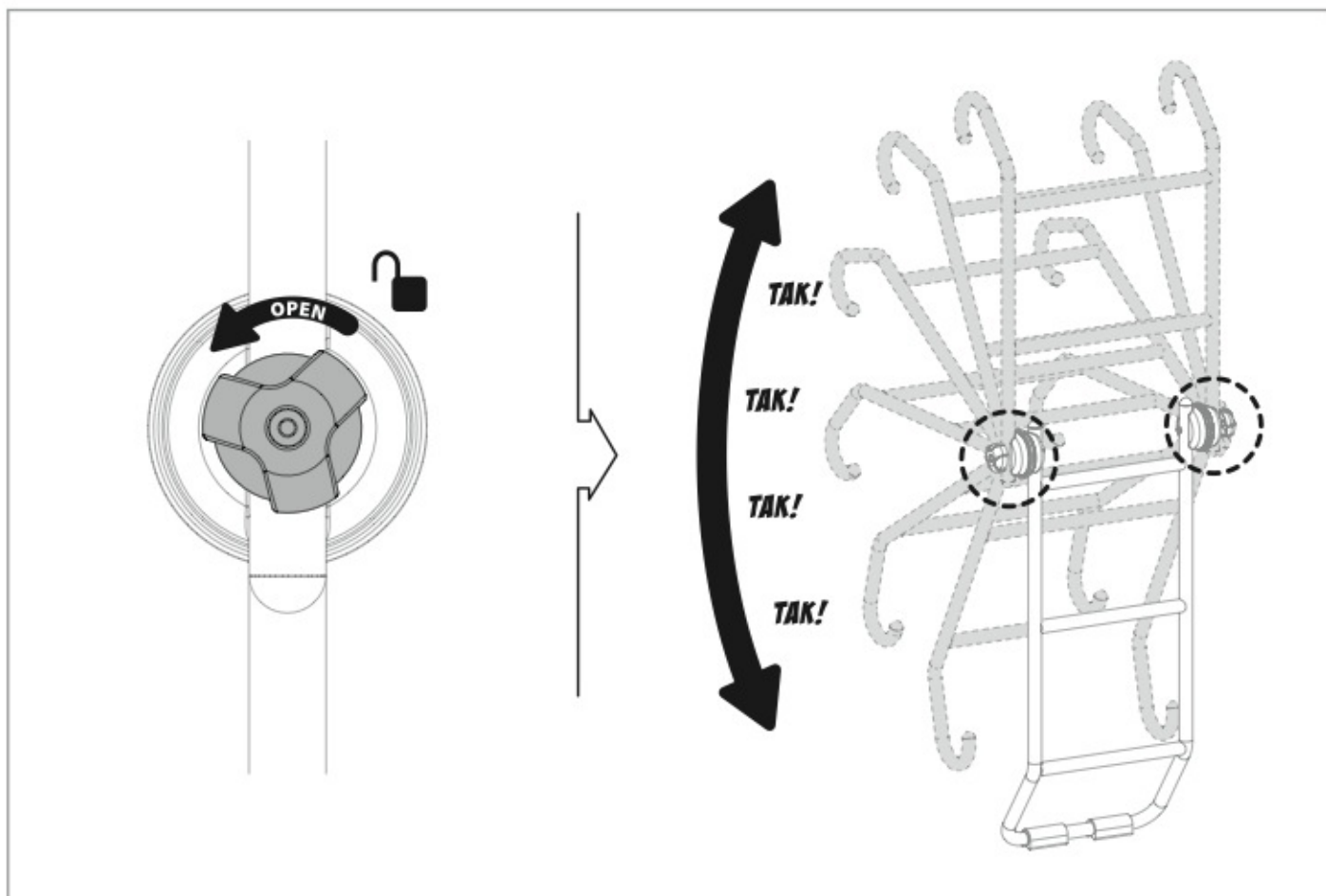


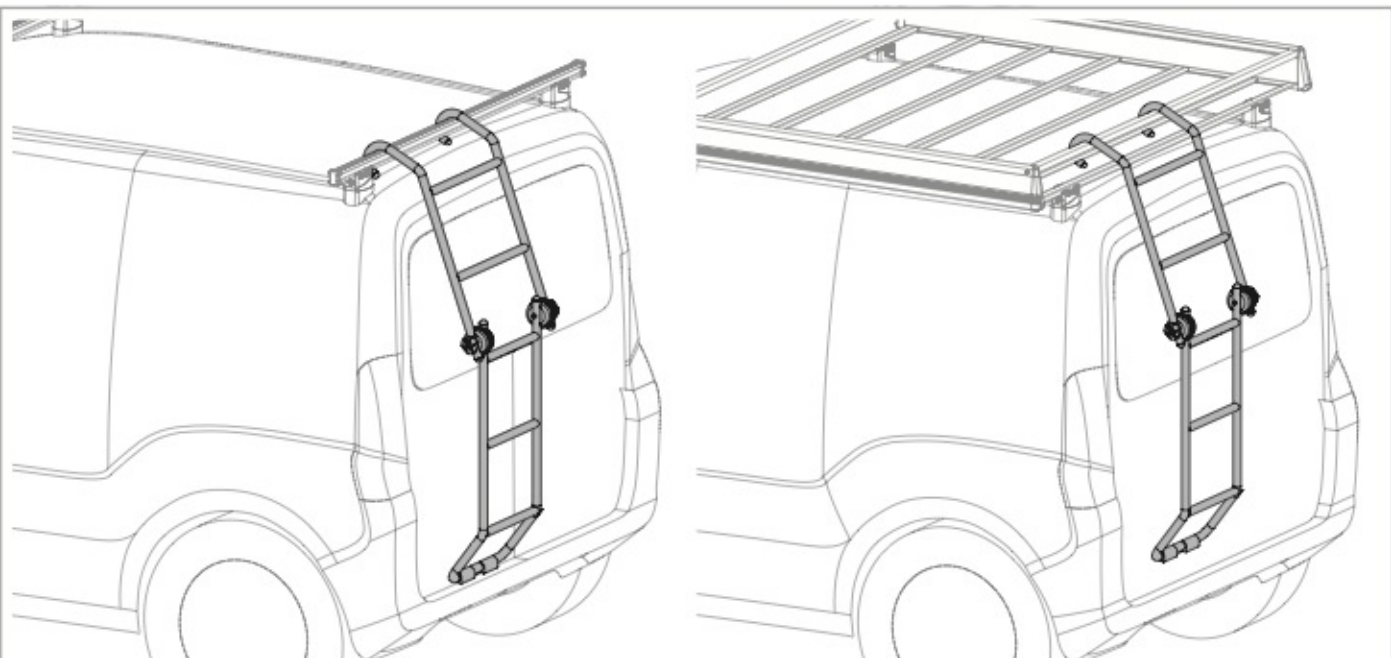
NORDRIVE[®]
TRANSPORT SOLUTIONS

Art. **N11091**



1**2****3**





① BARRE KARGO

Ⓒ KARGO BARS

④ DACH-LASTENTRÄGER
KARGO

① BARRE KARGO-PLUS

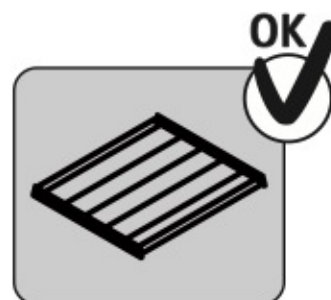
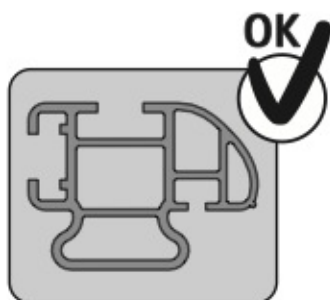
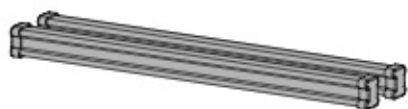
Ⓒ KARGO-PLUS BARS

④ DACH-LASTENTRÄGER
KARGO-PLUS

① CESTA PORTATUTTO

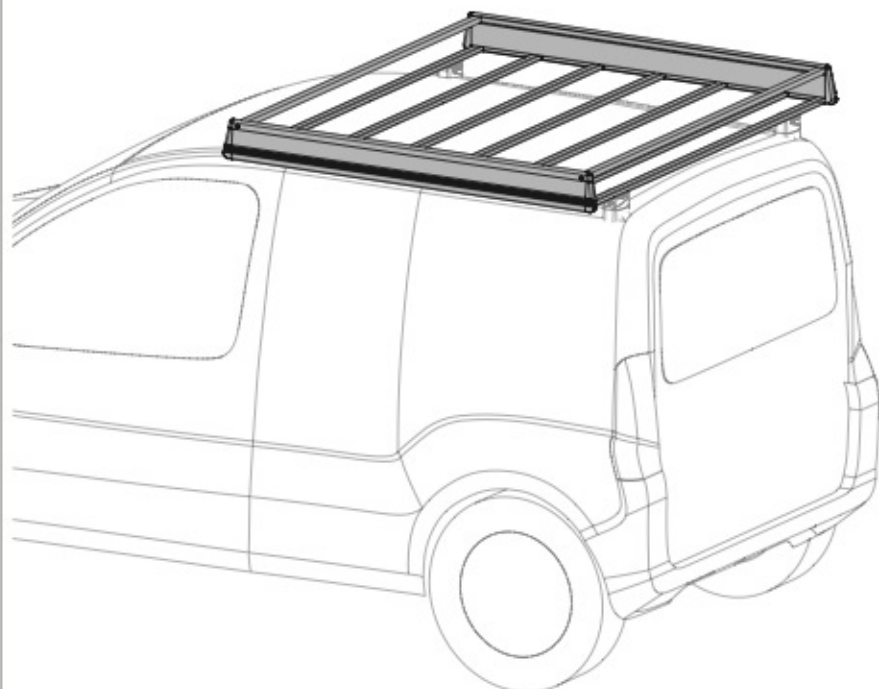
Ⓒ ROOF CARRIER

④ DACHKORB



OPTIONALS

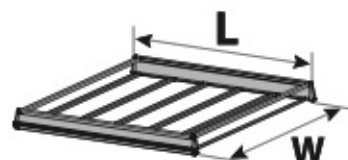
Kargo Rack series



KARGO RACK CESTA PORTATUTTO ROOF CARRIER

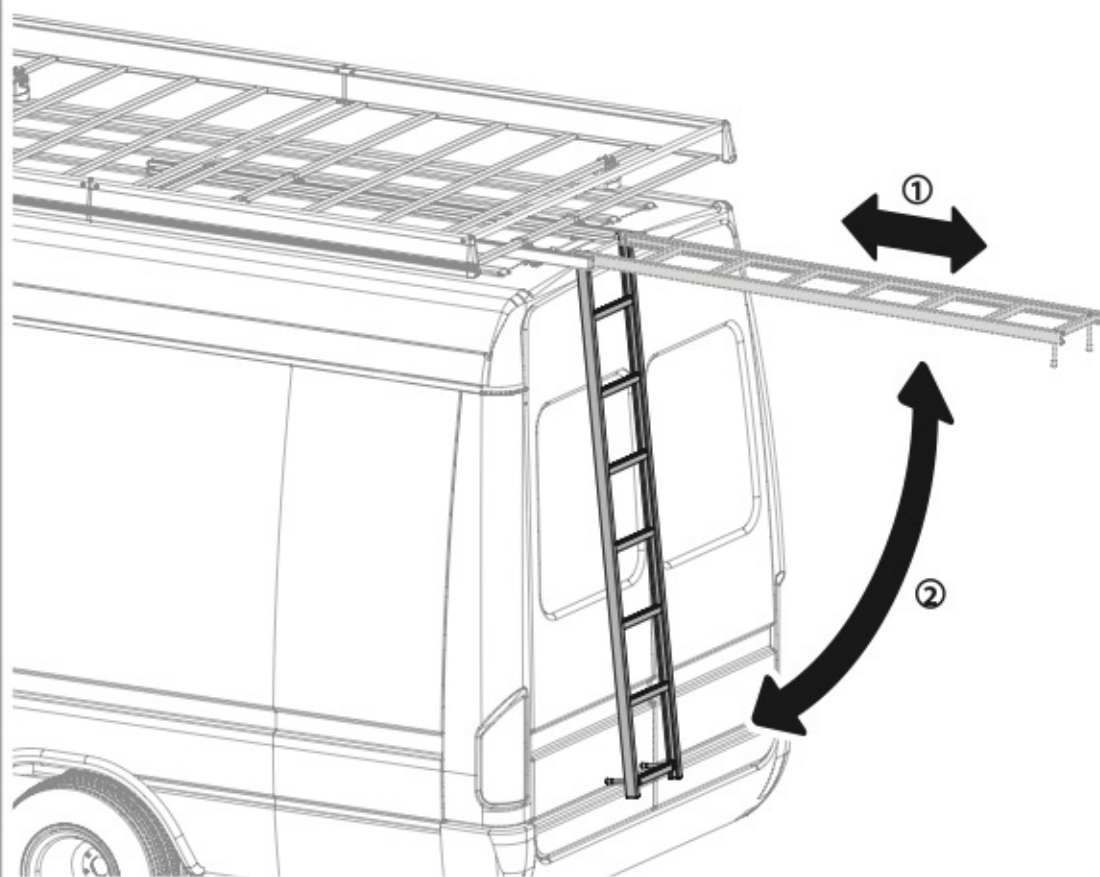


Art.	L	W
N10102	140cm	130cm
N10105	170cm	145cm
N10107	190cm	130cm
N10108	190cm	145cm



Art.	L	W
N10124	280cm	180cm
N10127	340cm	145cm
N10128	340cm	180cm
N10131	380cm	180cm

SCALETTA IN ALLUMINIO ALUMINIUM LADDER



- ① CESTA PORTATUTTO
- ② ROOF CARRIER
- ③ DACHKORB



N11092 C-1

NORDRIVE®

TRANSPORT SOLUTIONS

www.nordrive.it

is a registered trade mark of
LAMPA S.p.A.
46019 Viadana (MN) ITALY
Ditta certificata UNI EN ISO 9001:2008
www.lampa.it